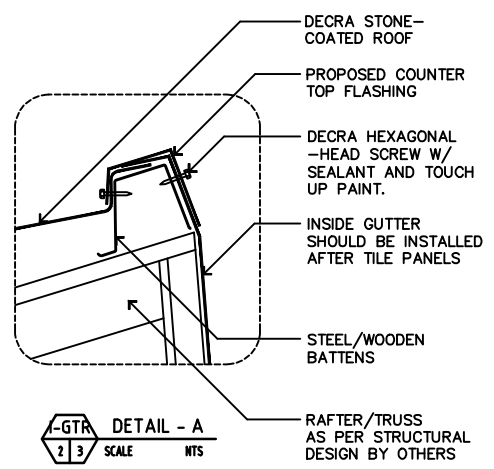
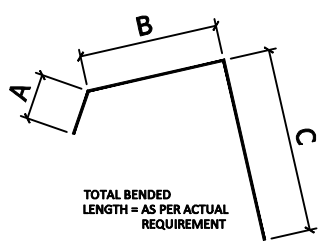


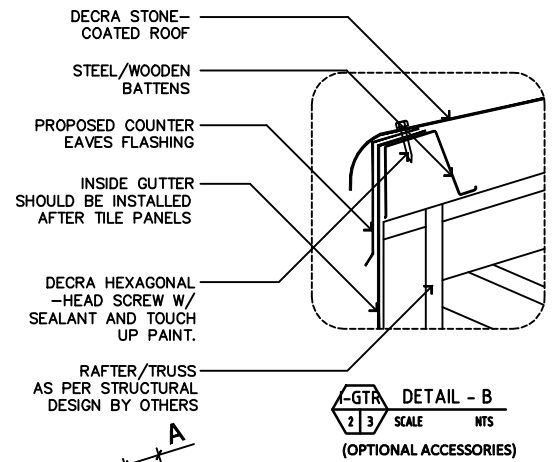
-GTR INSIDE GUTTER ACCESSORIES DETAIL
1 3 SCALE NTS



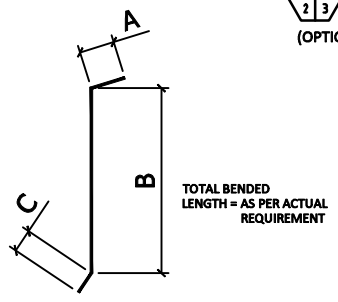
-GTR DETAIL - A
2 3 SCALE NTS



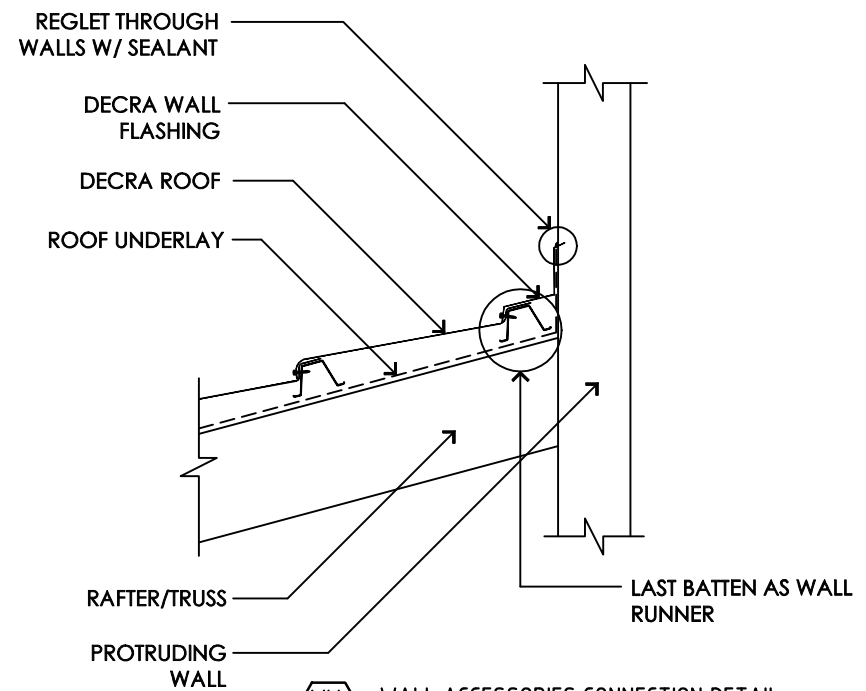
-GTR COUNTER TOP FLASHING DETAIL
3 3 SCALE NTS



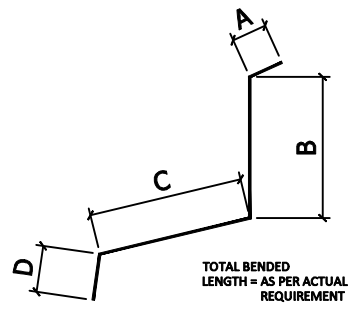
-GTR DETAIL - B
2 3 SCALE NTS
(OPTIONAL ACCESSORIES)



-GTR COUNTER EAVES FLASHING DETAIL
3 3 SCALE NTS
(OPTIONAL ACCESSORIES)



WLL WALL ACCESSORIES CONNECTION DETAIL
1 2 SCALE NTS



WLL WALL FLASHING DETAIL
2 2 SCALE NTS

- NOTE :
- TOTAL BENDED LENGTH IS NOT TO EXCEED 400mm OR 16".
 - USE APPROVED/EQUIVALENT DECRA BENDING TOOLS.
 - USE DECRA STONE-COATED FLAT SHEET.
 - BENDING WORKS MUST BE DONE BY AN EXPERT/TRAINED ROOF INSTALLER.
 - PROVIDE SUFFICIENT SEALANT AND TOUCH-UP PAINT ON ALL EXPOSED FASTENING SCREWS AND RIVETS.

PROJECT:	DRAWING TITLE:	DATE: 10 MARCH 2020	PAGE : 1/1
N/A	INSIDE GUTTER ACCESSORIES DETAIL COUNTER-TOP FLASHING DETAIL COUNTER-EAVES FLASHING DETAIL WALL ACCESSORIES CONNECTION DETAIL WALL FLASHING DETAIL	DRAWN BY : KVY	REFERENCE NO : N/A
		DESIGNED BY : KVY	FILE NO : SD-0006b
		SCALE : NTS	REV.