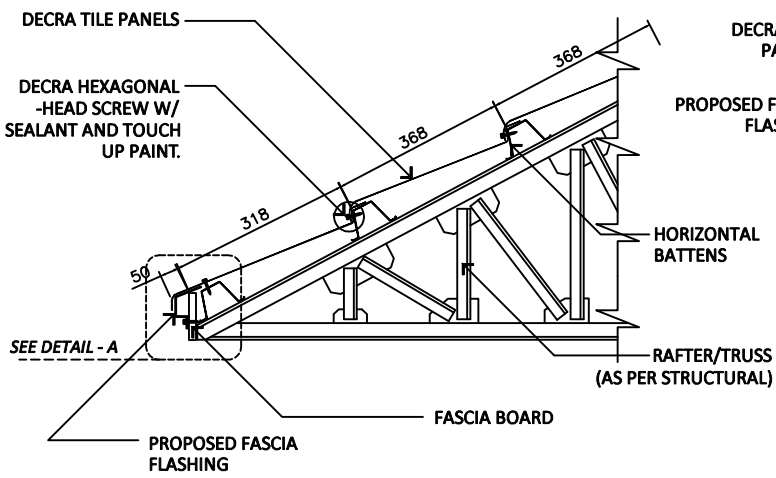
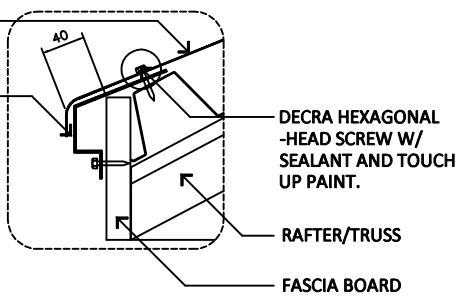


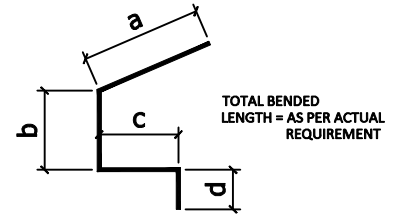
X = 160mm FOR ANGLE TRIM
X = 140mm FOR BARREL



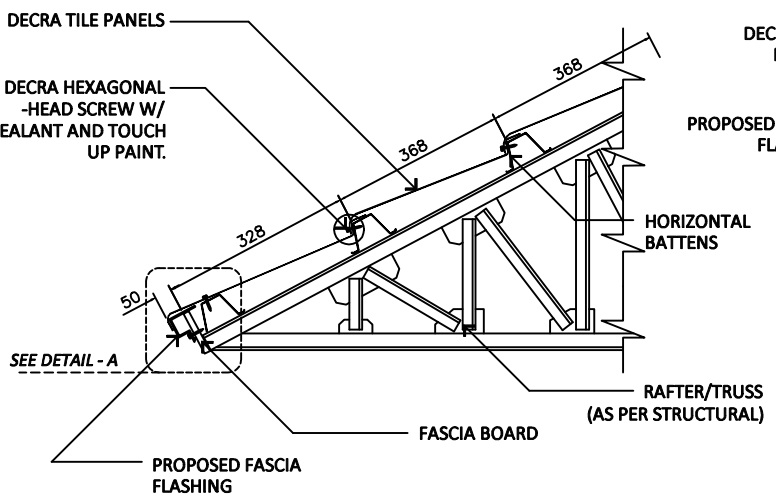
FS-1 FASCIA FLASHING CONNECTION DETAIL (CASE-1)
SCALE NTS



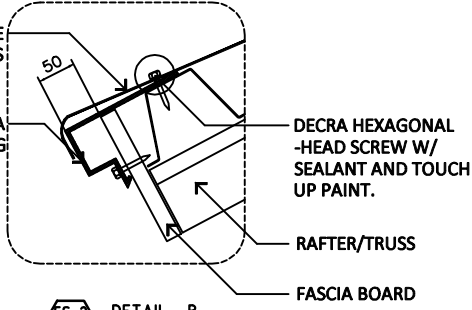
FS-1 DETAIL - A
SCALE NTS



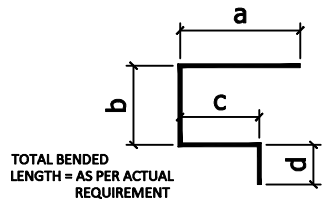
FS-1 FASCIA COVER DETAIL
SCALE NTS



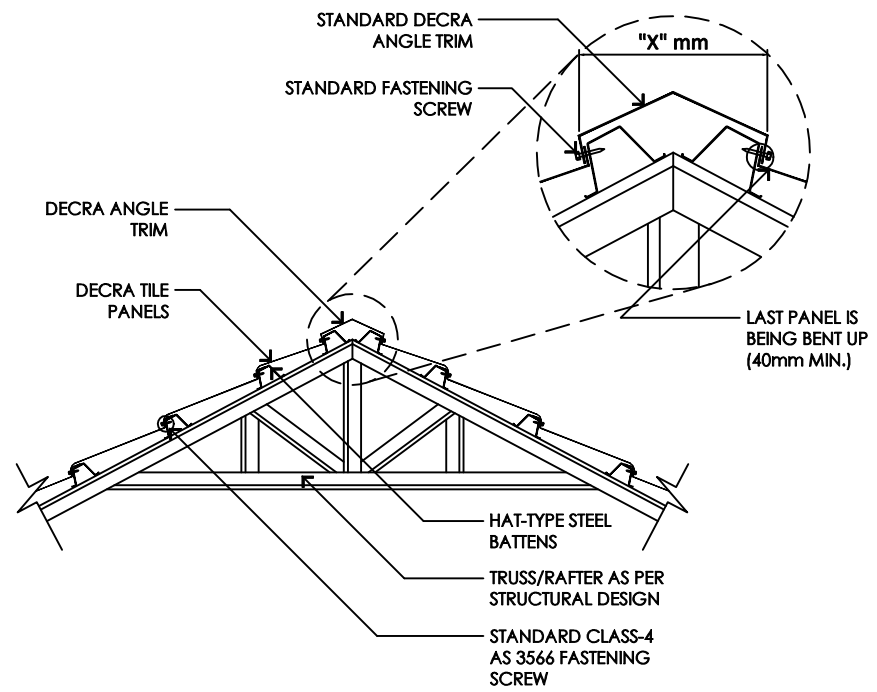
FS-2 FASCIA FLASHING CONNECTION DETAIL (CASE-2)
SCALE NTS



FS-2 DETAIL - B
SCALE NTS



FS-2 FASCIA COVER DETAIL
SCALE NTS



RDG CONNECTION DETAIL AT RIDGE/HIP AREA
SCALE NTS

NOTE:
"X" = 140 mm FOR BARREL
"X" = 160 mm FOR ANGLE TRIM

- NOTE :
- TOTAL BENDED LENGTH IS NOT TO EXCEED 400mm OR 16".
 - USE APPROVED/EQUIVALENT DECRA BENDING TOOLS.
 - USE DECRA STONE-COATED FLAT SHEET.
 - BENDING WORKS MUST BE DONE BY AN EXPERT/TRAINED ROOF INSTALLER.
 - PROVIDE SUFFICIENT SEALANT AND TOUCH-UP PAINT ON ALL EXPOSED FASTENING SCREWS AND RIVETS.

PROJECT:

N/A

DRAWING TITLE:

FASCIA FLASHING CONNECTION DETAIL (CASE-1)
FASCIA FLASHING CONNECTION DETAIL (CASE-2)
CONNECTION DETAIL AT RIDGE/HIP AREA

DATE: 10 MARCH 2020

PAGE : 1/1

DRAWN BY :

N/A

REFERENCE NO : N/A

DESIGNED BY :

N/A

FILE NO : SD-0005b

SCALE :

NTS

REV.