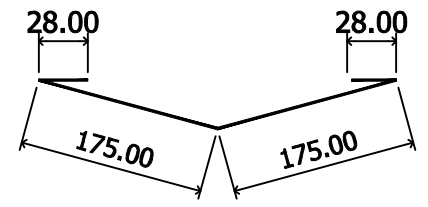
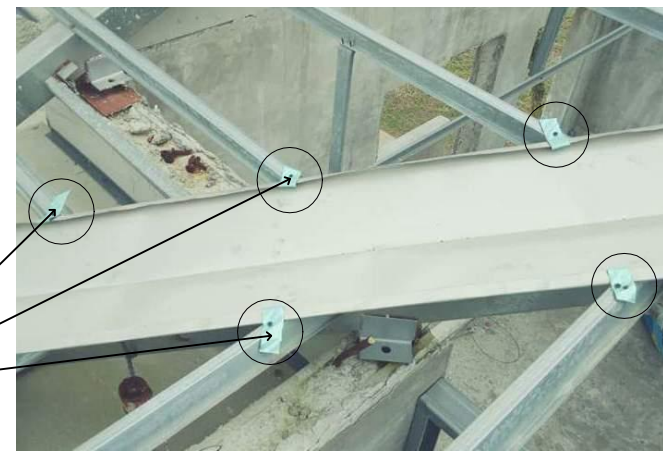
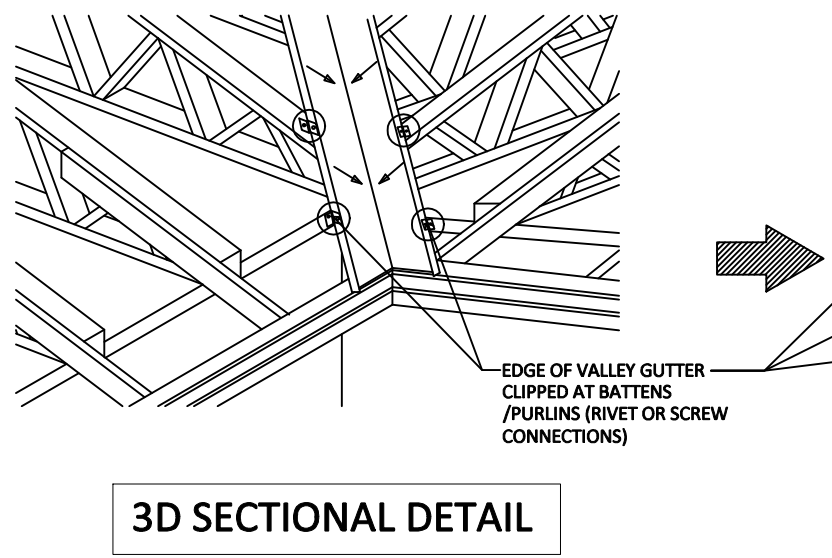
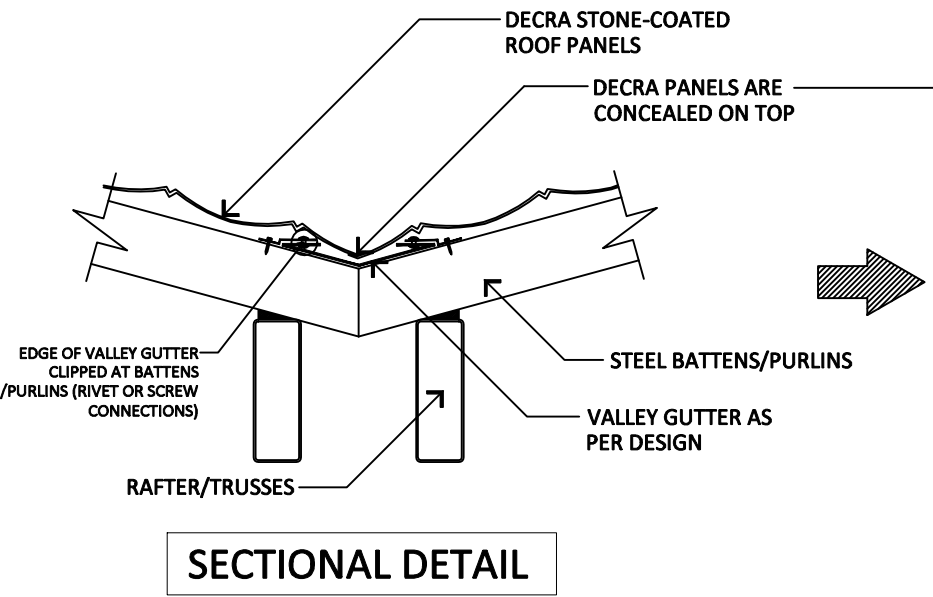


- NOTE :
1. ALL DIMENSIONS ARE IN "mm".
 2. TOTAL BENDED LENGTH IS NOT TO EXCEED 400mm OR 16".
 3. USE APPROVED/EQUIVALENT DECRA CUTTING & BENDING TOOLS.
 4. USE DECRA STONE-COATED FLAT SHEET.
 5. BENDING WORKS MUST BE DONE BY AN EXPERT/TRAINED ROOF INSTALLER.
 6. PROVIDE SUFFICIENT SEALANT AND TOUCH-UP PAINT ON ALL EXPOSED FASTENING SCREWS AND RIVETS.



VALLEY GUTTER DETAIL