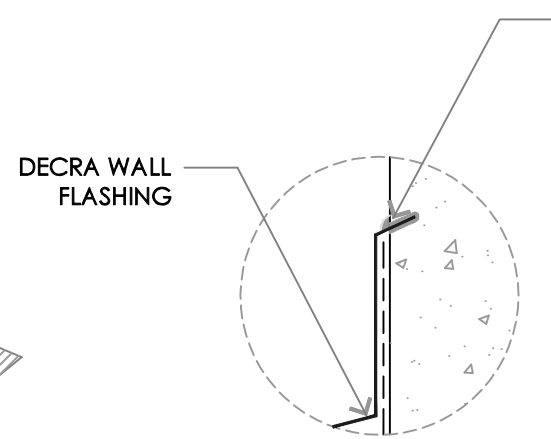
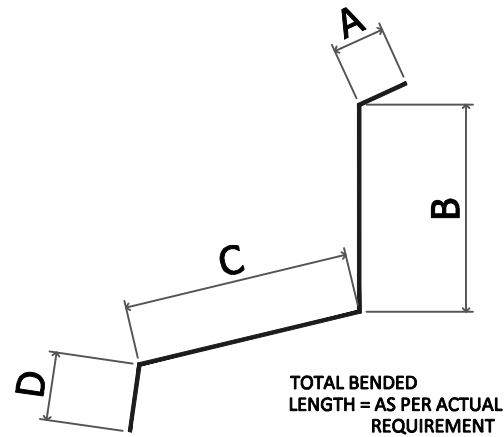


**WLL** WALL ACCESSORIES CONNECTION DETAIL  
1 3 SCALE NTS



**WLL** BLOW UP DETAIL  
2 3 SCALE NTS



**WLL** WALL FLASHING DETAIL  
3 3 SCALE NTS

- RECOMMENDED INSTALLATION:**
1. GRIND THROUGH WALL AT LEAST 3mm TO 5mm WIDTH, AND 20mm TO 30mm PENETRATION TO WALLS.
  2. SEAL THE GRINDED PORTION WITH SILICONE TYPE SEALANT.
  3. INSERT THE BENDED NOSE OF THE WALL FLASHING.
  4. APPLY FINAL SEALANT AFTER INSERTING THE FLASHING NOSE.
  5. FASTEN THE FLASHING AT METAL RUNNER ACCORDINGLY.

- NOTE :**
1. ALL DIMENSIONS ARE IN "mm".
  2. TOTAL BENDED LENGTH IS NOT TO EXCEED 400mm OR 16".
  3. USE APPROVED/EQUIVALENT DECRA CUTTING & BENDING TOOLS.
  4. USE DECRA STONE-COATED FLAT SHEET.
  5. BENDING WORKS MUST BE DONE BY AN EXPERT/TRAINED ROOF INSTALLER.
  6. PROVIDE SUFFICIENT SEALANT AND TOUCH-UP PAINT ON ALL EXPOSED FASTENING SCREWS AND RIVETS.