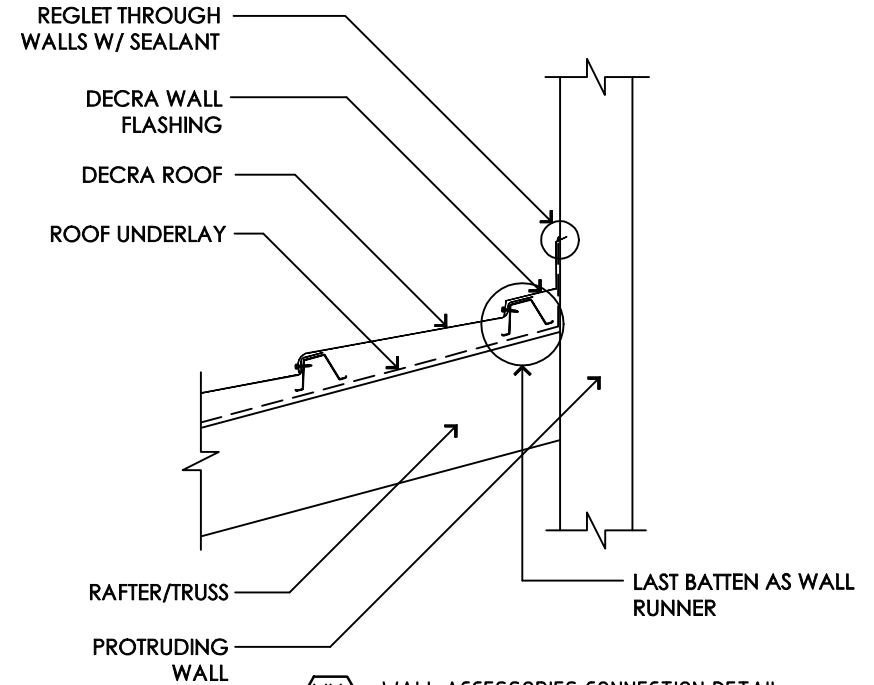
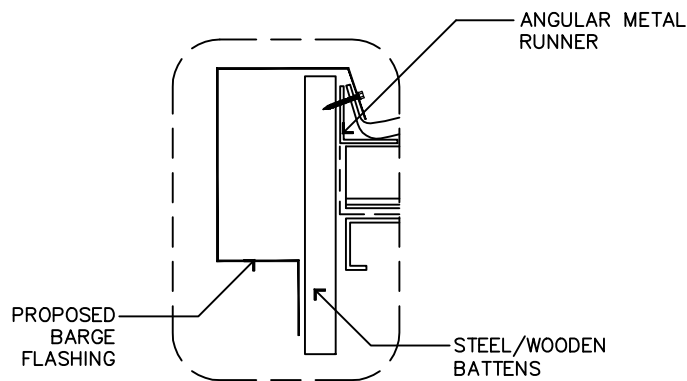


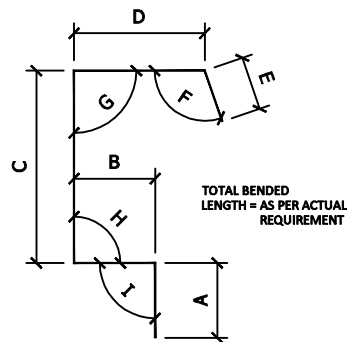
I-GBL GABLE AREA ACCESSORIES DETAIL
1 | 3 SCALE NTS



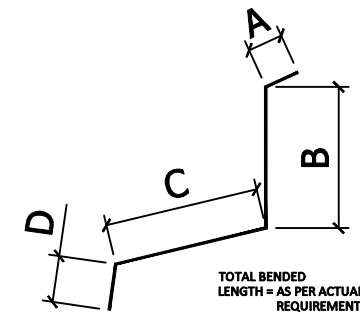
WLL WALL ACCESSORIES CONNECTION DETAIL
1 | 2 SCALE NTS



I-GBL DETAIL SECTION - A
2 | 3 SCALE NTS



I-GBL BARGE FLASHING DETAIL
3 | 3 SCALE NTS



WLL WALL FLASHING DETAIL
2 | 2 SCALE NTS