

Traditional  
styling with the  
endurance  
of steel



**DECRA**<sup>®</sup> **CORONA**  
S H A K E



# THE NATURAL LOOK OF TIMBER WITH ENDURING STEEL

Corona® Shake is a totally new style in roofing. It has been designed to recreate natural cedar wood shingles, or shakes, that are commonly used on many roofs throughout North America. At the same time Corona Shake avoids the natural drawbacks of using timber as a roof decking. In variable climates wooden shakes are prone to warping and splitting, and can create a fire hazard in dry conditions.

Using advanced metal-pressing technology AHI Roofing has developed a new roofing system that re-creates the deep grain profile of cedar wood shakes. The result is the natural look of a timber roof with the low maintenance that you would expect from lightweight steel roofing.

## THE INNER STRENGTH OF STEEL

The heart of each individual Corona Shake panel is \*ZINCALUME® steel. This durable core is coated with an acrylic resin, followed by an acrylic base coat into which natural stone chips are embedded. Finally an acrylic overglaze is applied to provide a finishing seal on the top side. The underneath of the panel is also coated with acrylic resin to provide additional protection.

\*ZINCALUME® is a registered trademark of Bluescope Steel Ltd.

## THE ADVANTAGES OF LIGHTWEIGHT CORONA® SHAKE

### SAFETY

A Corona Shake roof weighs about one sixth of the weight of a concrete tile roof of the same area. The average concrete roof weighs seven tons and the house requires additional design construction to carry that load. This is an important consideration in earthquake prone environments.

### STRENGTH

Each Corona Shake panel interlocks with the surrounding panels and is fixed to the roof with a unique horizontal fixing system. The fasteners are at right angles to wind uplift forces creating a roofing structure of superior strength.

### COST EFFICIENT

Considerable savings can be achieved in structural cost in the design of houses built to the lightweight building codes.

### EASE OF HANDLING

Corona Shake is lightweight and easy to handle. This reduces installation time and provides further cost savings.

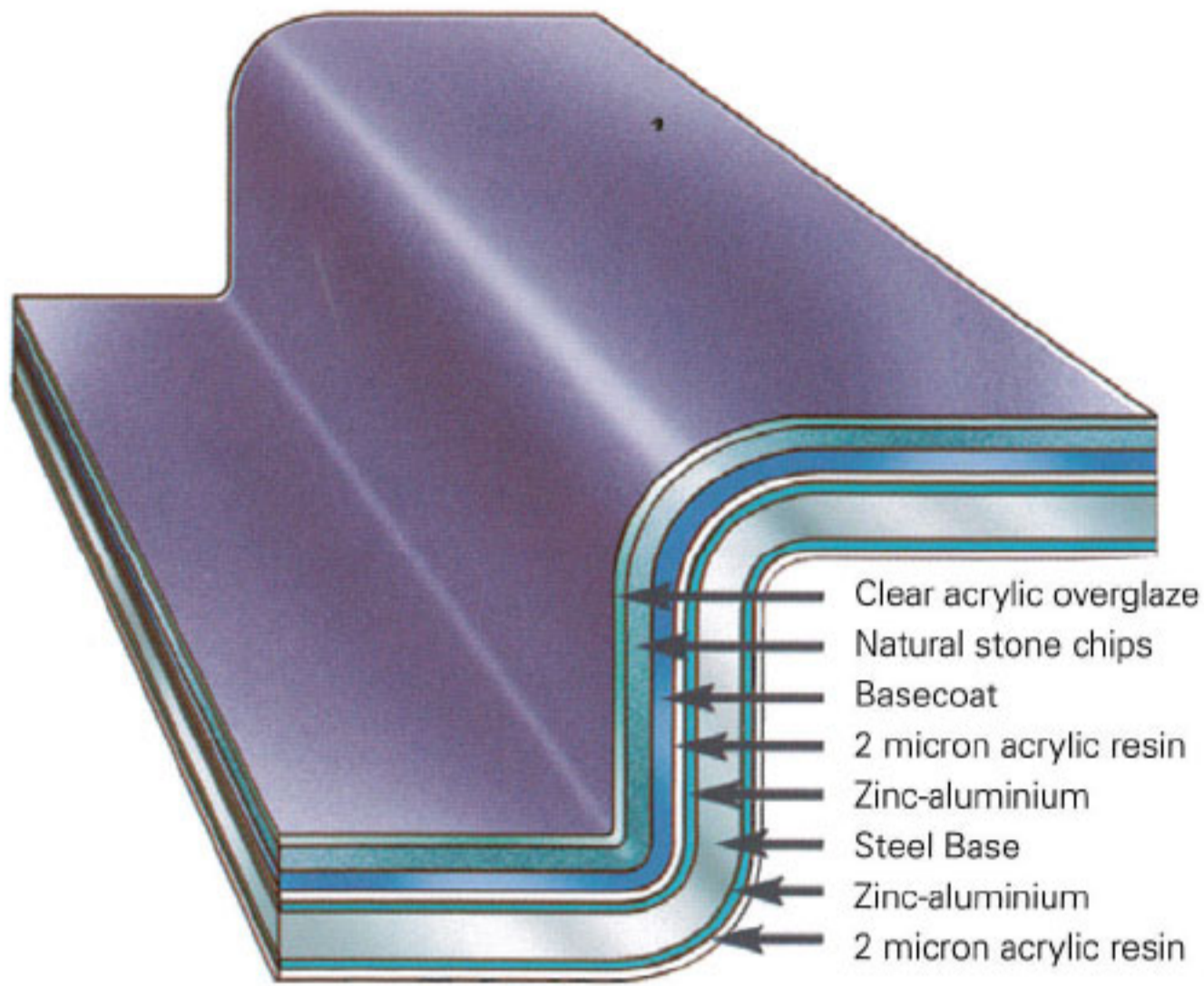




# DISCOVER THE ADVANTAGES OF OUR TECHNOLOGY

## ROOFING PANEL FROM AHI ROOFING

Coatings even and smooth when panel coated after pressing



## FULLY TESTED

Corona Shake has been fully appraised and has received test reports from the following authorities. Test report copies are available from any of our offices or representatives.

### WEATHERING RESISTANCE

- Accelerated Weathering Test to American Society for Testing and Materials standard (ASTM) G26.

### WEATHERING SECURITY

- High Speed Dynamic Rain Penetration and High Wind Loading Tests - by Construction Research Laboratory Inc, Florida, USA.
- Low Speed Dynamic Penetration Test - by the Experimental Building Station, Australia

### HURRICANE/CYCLONE WIND RESISTANCE

- Hurricane test by Construction Research Laboratory Inc, Miami, Florida, USA
- Cyclone Loading Test to the wind Loading Code, Australian Standard 1170, Part 2 2002 - by Cyclone Testing Station, Australia.

### CORROSION RESISTANCE

- Salt/fog test to ASTM B117
- 100% Relative Humidity Test to ASTM D2247

### CONCENTRATED LOADING

- Concentrated Force on Roofing Tiles to Australian Standard 1582. Rule 5.2, 1973 by Cyclone Testing Station, Australia

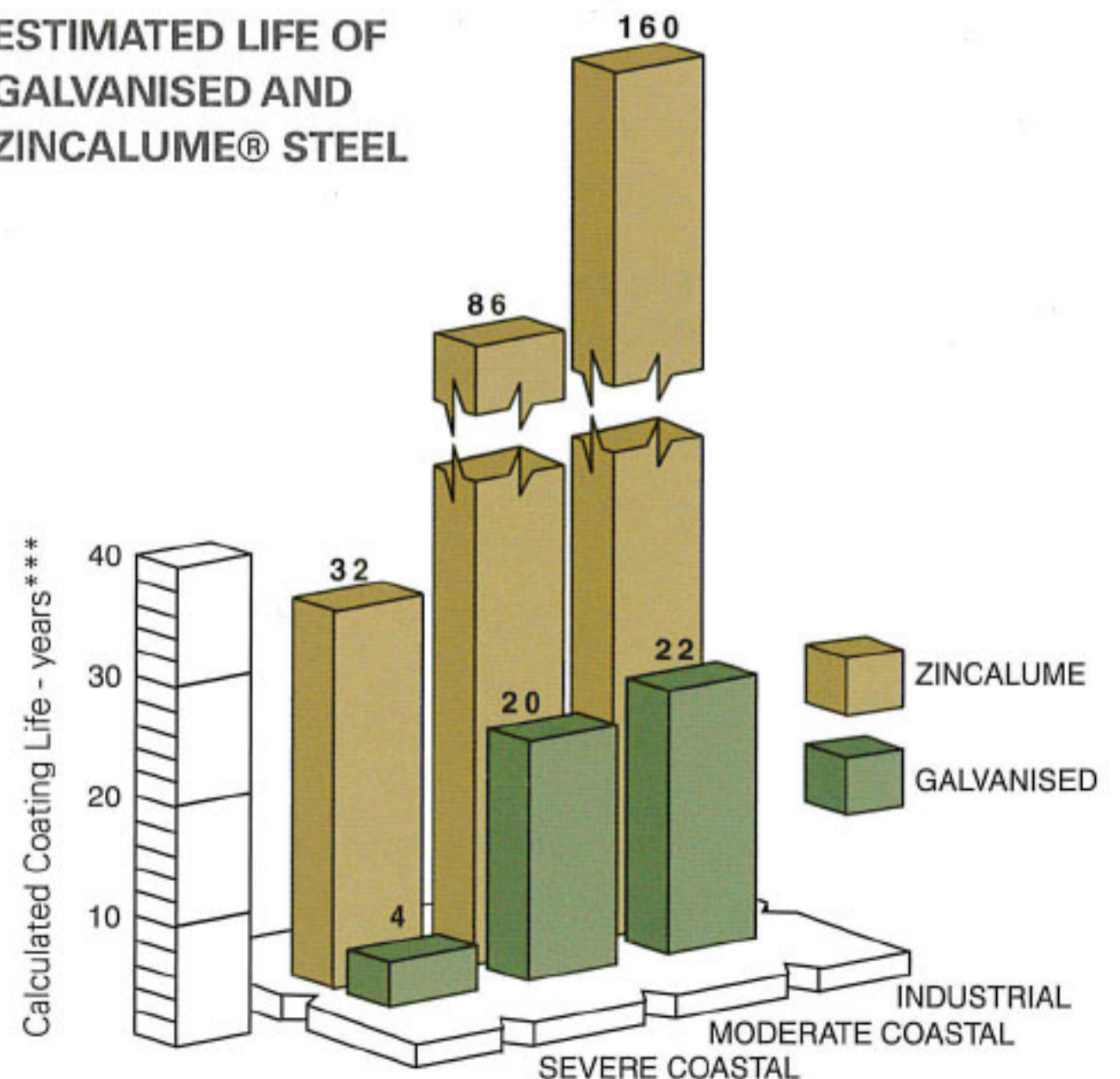
### FIRE RESISTANCE

- Class A&B under UL790 (ASTM E-108) when applied in accordance with instructions.

### RESISTANCE TO THE IMPACT OF HAILSTONES

- Hailstone test by Commonwealth Scientific and Industrial Research Organisation, Division of Building, Construction and Engineering, Australia.

### ESTIMATED LIFE OF GALVANISED AND ZINCALUME® STEEL



Figures quoted by BHP in BIEC Clips 48, 8/97 for uncoated Zincalume®

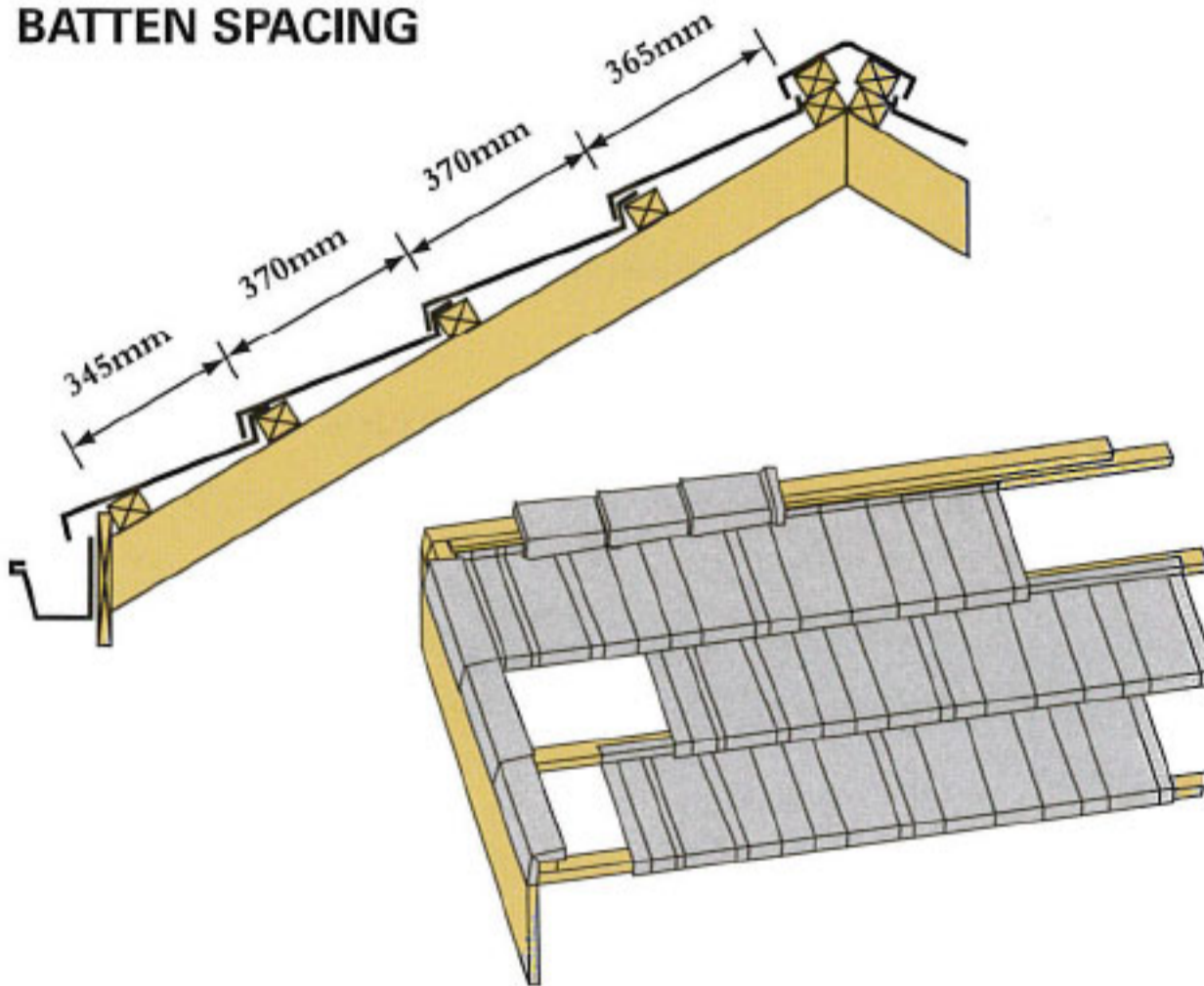


# TECHNICAL INFORMATION

**Pitch:** The interlocking Corona Shake design will allow any pitch from 15° up.

**Rafters:** Cost savings can be achieved if rafter lengths are designed to accommodate an exact number of Corona Shake courses. Where this is not possible it may be necessary to trim the top course of panels. Rafters or roof trusses can be set at various centres depending on the type of construction.

## BATTEN SPACING



**Layout:** The accompanying detail shows the typical random layout pattern of the Corona Shake system. This random laying pattern is necessary to recreate the look of natural timber shakes and is an essential requirement for Corona Shake fixing.

Manufactured to International Standards. AHI Roofing is registered to ISO 9001 which recognises the quality management systems standards now accepted in more than 150 countries around the world.

## Plant:

**AHI Roofing (Malaysia) Sdn Bhd**  
 Lot 12, Nilai Industrial Estate,  
 71800 Nilai, Negeri Sembilan,  
 Malaysia.  
 Tel: +60 6 799 1877  
 Fax: +60 6 799 1827  
 info@ahiroofing.com.my

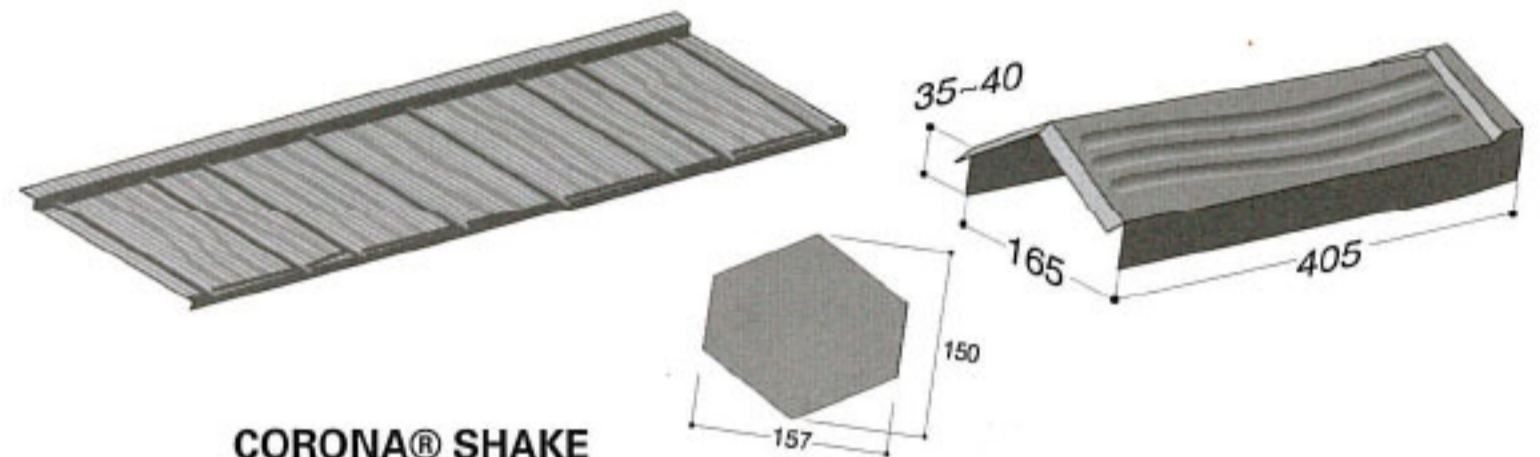
## Sales Offices:

**SEA Regional Office**  
 75-3, Jalan USJ 21/10,  
 47630 UEP Subang Jaya,  
 Selangor, Malaysia.  
 Tel: +60 3 8011 9093/9054/9925  
 Fax: +60 3 8011 1418

**Philippine Representative Office**  
 Unit 800-D, 20th Drive Corporate Center,  
 20th Drive, Mc Kinley Business Park  
 Fort Bonifacio, Taguig City, Philippines  
 Tel: +63 2 553 9996  
 Fax: +63 2 856 0407

## NOMINAL BATTEN SIZES

Rafters or Truss Centres	Batten Size (Nominal)
Recommended up to: 900mm	50 x 40mm
<b>Optional</b> 1200mm	50 x 50mm
1500mm	60 x 65mm on edge
1800mm	50 x 75mm on edge



## CORONA® SHAKE

Width of cover 370mm  
 Length of cover 1250mm  
 Overall length 1310mm  
 Upstand 27mm  
 Coverage 2.2 shake/m<sup>2</sup>  
 Weight/panel 3.0kg  
 Weight/m<sup>2</sup> 6.6kg

## ANGLE TRIM

Standard Angle Trims must be used on rakes, hips and ridges.  
 Overall length 405mm  
 Length of cover 370mm  
 Weight/unit 0.5kg

[www.ahiroofing.com](http://www.ahiroofing.com)

**DECRA®**  
 ROOFING SYSTEMS

**AHI ROOFING**

A FLETCHER BUILDING COMPANY